

for Autoflash (M16C-Flasher) <http://www.m16c-flasher.de>

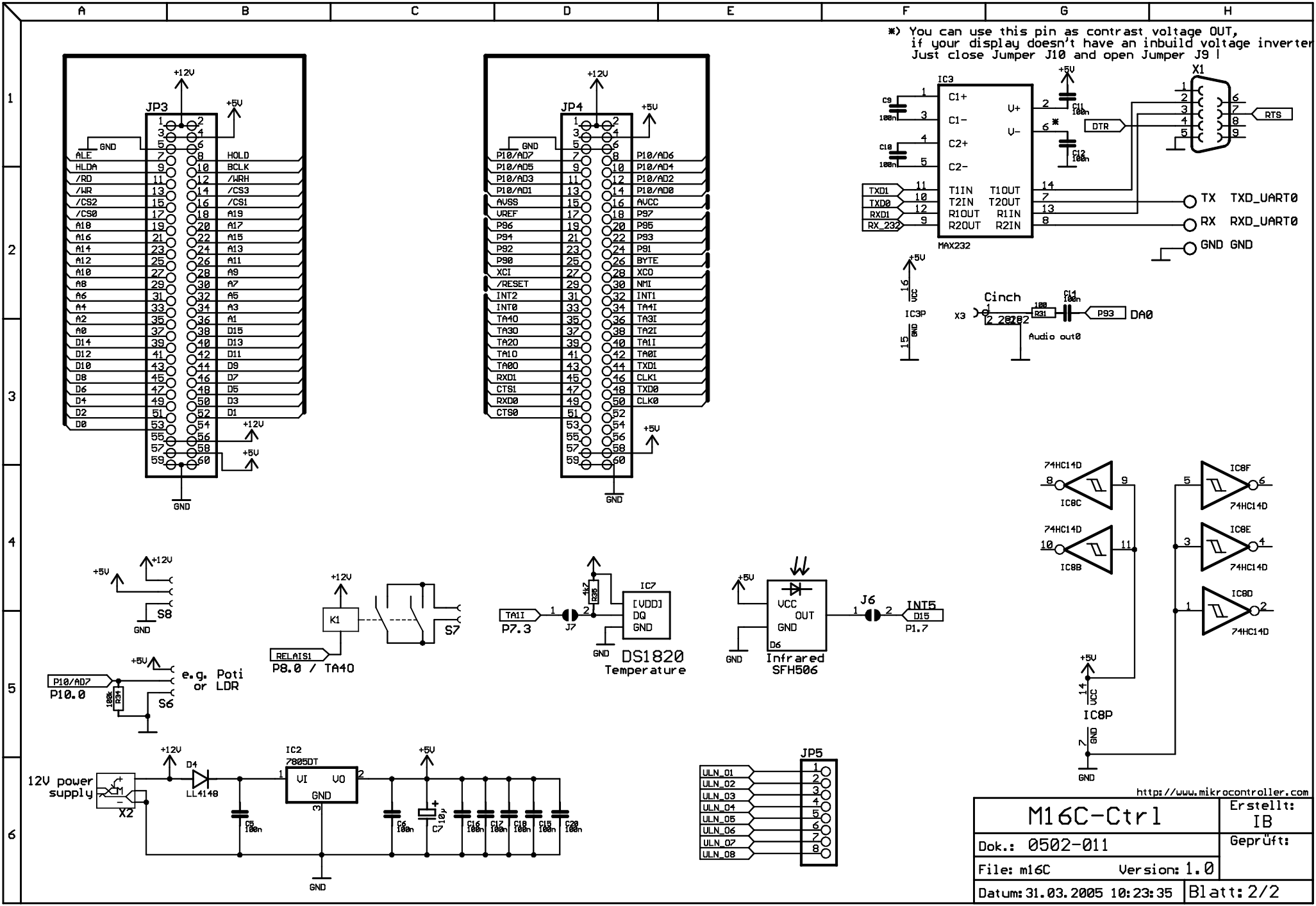
- Select contrast voltage SJ1
- 4 - ContrastIN
 - 8 - C/D
 - 10 - /RESET
 - 19 - FontSelect
 - 20 - Contrast voltage OUT (if supported by LCD)

Jumper settings:

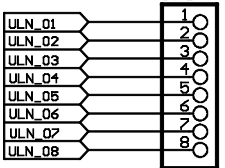
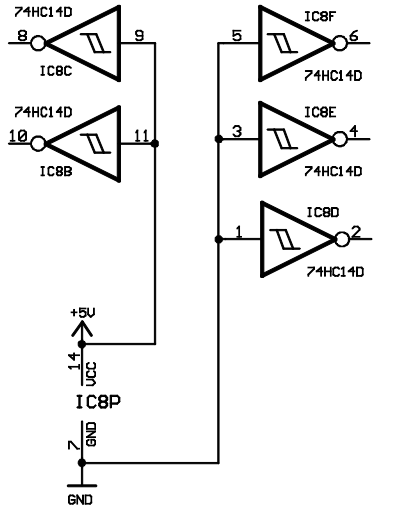
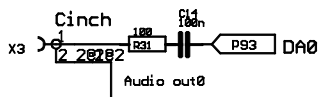
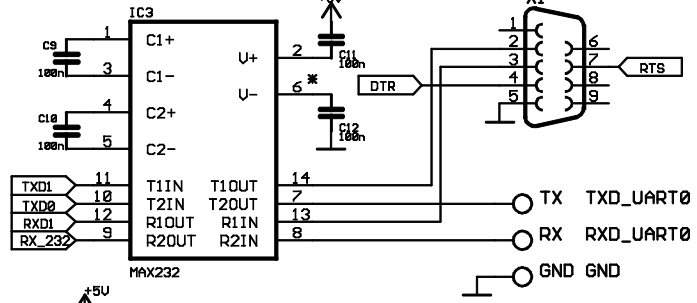
- J1 - close for 16bit databus
- J2 - select UART mode
- J3 - connect Uref
- J4 - connect AUcc
- J5 - connect AVss
- J6 - connect SFH506
- J7 - connect DS1B20
- J8 - connect relais
- SJ1 - select contrast voltage
- SJ2 - select RxD0

M16C-Ctr1		Erstellt: IB
Dok.: 0502-011		Geprüft:
File: m16C	Version: 1.1	
Datum: 31.03.2005 10:23:35	Blatt: 1/2	

<http://www.mikrocontroller.com>



*) You can use this pin as contrast voltage OUT, if your display doesn't have an inbuilt voltage inverter. Just close Jumper J10 and open Jumper J9!



<https://www.mikrocontroller.com>

M16C-Ctrl		Erstellt: IB
Dok.: 0502-011		Geprüft:
File: m16C	Version: 1.0	
Datum: 31.03.2005 10:23:35	Blatt: 2/2	